



SQH5014S SERIES ~ Low Profile Semi Power Inductors

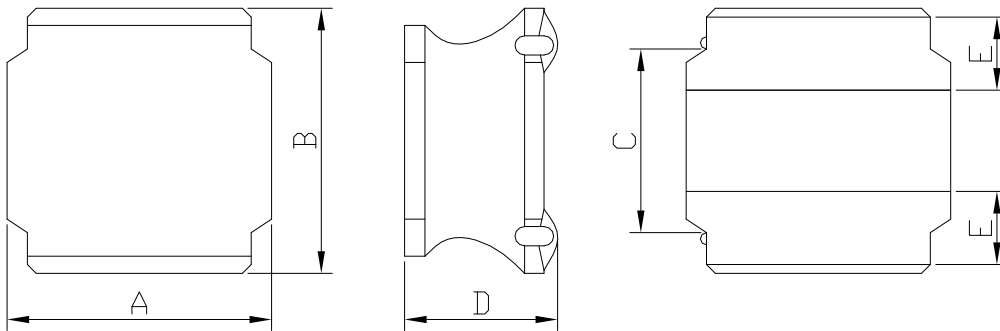


PART NUMBERING SYSTEM

SQH	5014S	—	4R7N	—	LF
TYPE	DIMENSIONS		INDUCTANCE		LEAD FREE

SHAPES AND DIMENSIONS

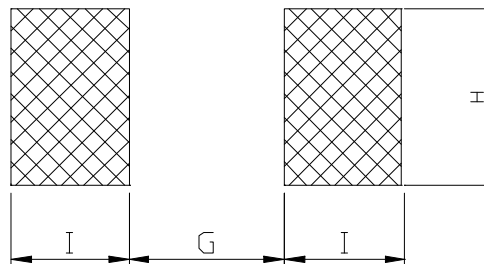
UNIT : mm



A=5.2 Max. B=5.2 Max. C=3.25 Ref. D=1.4 Max. E=1.2±0.2

RECOMMENDED PATTERNS

UNIT : mm



G= 2.10 H= 4.00 I = 1.50

FEATURES

- * Low profile and small inductors (5.2mm Max. square and 1.4mm Max. height)
- * Magnetically shielded construction and high current
- * Ideal for DC-DC converter choke coil for portable equipments (DVDs , DSC , Cellular , PDAs)
- * RoHS compliant option with lead free

SQH5014S SERIES ~ Low Profile Semi Power Inductors



SPECIFICATION TABLE

PART NUMBER	INDUCTANCE (μ H)	DCR (m Ω) (Max.)	Isat (A) (Max.)	Irms (A) (Max.)	TEST FREQ. (f)
SQH5014S-1R2N-LF	1.2 \pm 30%	54	3.80	2.80	100KHz
SQH5014S-2R2N-LF	2.2 \pm 30%	78	2.80	2.30	100KHz
SQH5014S-3R3N-LF	3.3 \pm 30%	96	2.35	2.10	100KHz
SQH5014S-4R7N-LF	4.7 \pm 30%	120	2.05	1.80	100KHz
SQH5014S-330M-LF	33.0 \pm 20%	940	0.64	0.60	100KHz

- Isat : DC current at which the inductance drops 30%(typ) from its value without current.
- Irms : The temperature rise current value is the DC current value having temperature increase up 40°C temperature rise from 25°C ambient.
- Operating temperature range -40°C to +105°C , Electrical specifications at 25°C .